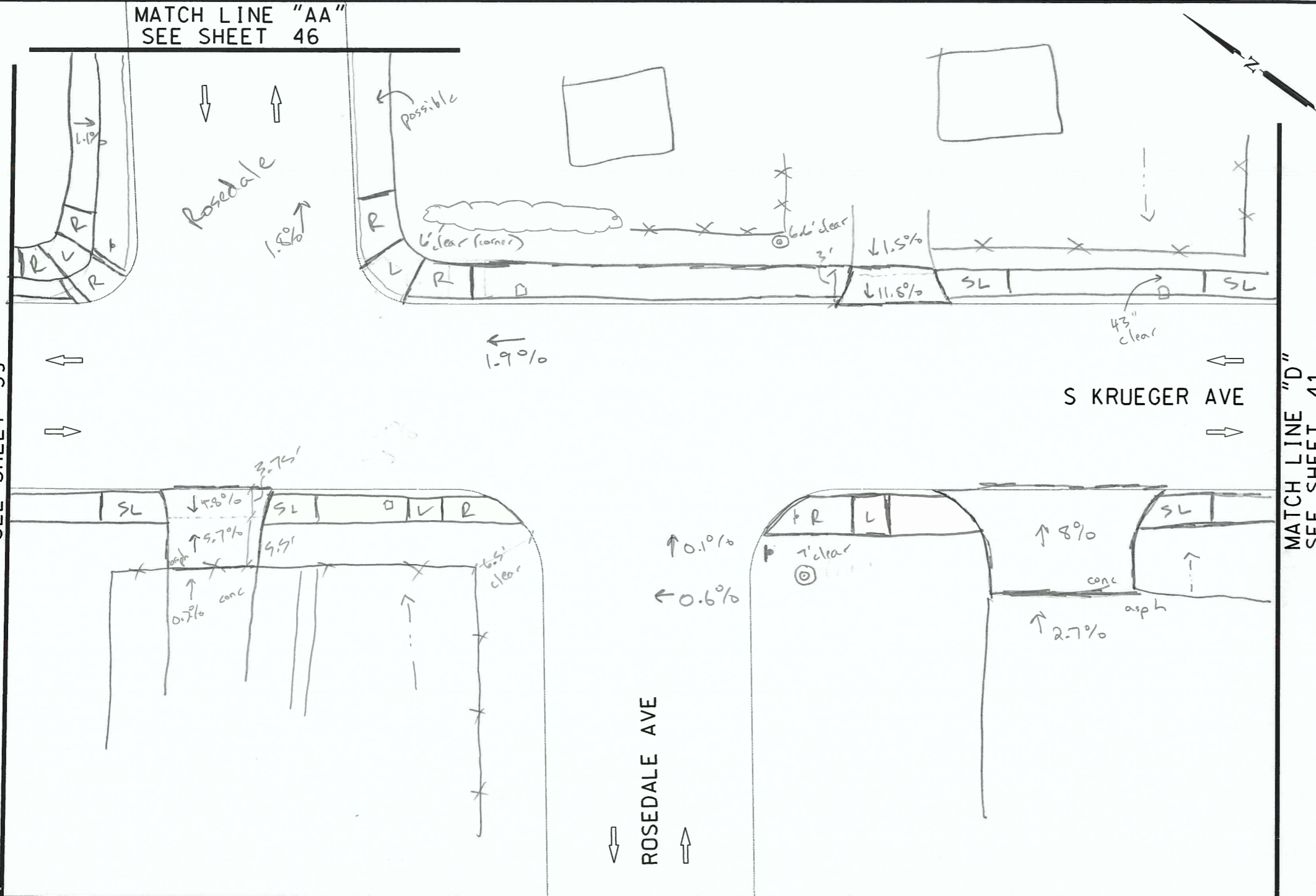


PLOTTED ON: 10/31/2016

MATCH LINE "C" SEE SHEET 39

DESIGN FILENAME: P:\11\38\00\Design\Civil\Roadway\113800\_NB\_SkuegerAve\_SheetD.dgn

MATCH LINE "AA" SEE SHEET 46



ITEM	DESCRIPTION	UNIT	QTY
------	-------------	------	-----



NB\_16-025\_WS\_04

CF 11/2  
FD

NOTES:

\* FOR CONTRACTOR INFORMATION ONLY

- THE EXISTENCE AND LOCATION OF ALL UTILITIES AND DRAINAGE STRUCTURES INDICATED IN THE PLANS ARE TAKEN FROM THE BEST RECORDS AVAILABLE AND ARE NOT GUARANTEED TO BE ACCURATE. CONTRACTOR SHALL COORDINATE WITH ALL UTILITY COMPANIES TO FIELD VERIFY UTILITIES PRIOR TO BEGINNING CONSTRUCTION. DESIGN

INTERIM REVIEW  
DOCUMENT INCOMPLETE. NOT INTENDED FOR PERMIT, BIDDING OR CONSTRUCTION.  
ENGINEER: JOHN A. TYLER  
P.E. SERIAL NO: 105193  
DATE: 10/31/2016

REVIEW AND APPROVAL  
INTERIM REVIEW  
DOCUMENT INCOMPLETE. NOT INTENDED FOR PERMIT, BIDDING OR CONSTRUCTION.  
ENGINEER: JAMES A. LUTZ  
P.E. SERIAL NO: 84722  
DATE: 10/31/2016

NOT TO SCALE

REV. NO.	DATE	DESCRIPTION	BY
----------	------	-------------	----

SPECIAL NOTES & DETAILS

FOR ENVIRONMENTAL REVIEW ONLY

LEGEND

- CAMERA POSITION
- DRAINAGE FLOW ARROW
- F FLARE
- FIRE HYDRANT
- GAS METER
- GAS VALVE
- GROUND BOX
- GUY ANCHOR
- IRRIGATION
- JUNCTION BOX
- L LANDING
- L1 LANDING (COMMON)
- LS LEVEL SIDEWALK (2% MAX)
- LIGHT POLE
- LUMINAIRE STANDARD
- MAIL BOX
- MANHOLE
- NSPI NO SEPARATE PAY ITEM
- PEDESTAL SIGNAL POLE
- PI POINT
- POWER/UTILITY POLE
- R RAMP
- RR RIPRAP (CONC)
- SIGN
- T TRANSITION
- SL LONGITUDINAL SLOPES MAY NOT EXCEED 5%. CROSS SLOPES MAY NOT EXCEED 2%
- TRAFFIC FLOW
- TRAFFIC SIGNAL BOX
- TRAFFIC SIGNAL CONTROLLER
- TRAFFIC SIGNAL POLE
- TRANSFORMER
- TREE/BUSHES
- UTILITY PEDESTAL/MARKER
- UTILITY VAULT
- WATER METER
- WATER VALVE



SAN ANTONIO | AUSTIN | HOUSTON | FORT WORTH | DALLAS  
2000 NW LOOP 410 | SAN ANTONIO, TX 78213 | 210.375.9000  
TBPE FIRM REGISTRATION #470 | TBPLS FIRM REGISTRATION #10028600



CURB RAMP PROGRAM

S KRUEGER AVE  
SIDEWALK SHEET D

SHEET 4 OF 6

DCN:	FED. RD. DIV. NO.	STATE	CITY	HIGHWAY N
CHK DCN:	6	TEXAS	NEW BRAUNFELS	VA
DWG:	DIST.	COUNTY	CONT. NO.	SECT. NO.
CHK DWG:	SAT	COMAL		