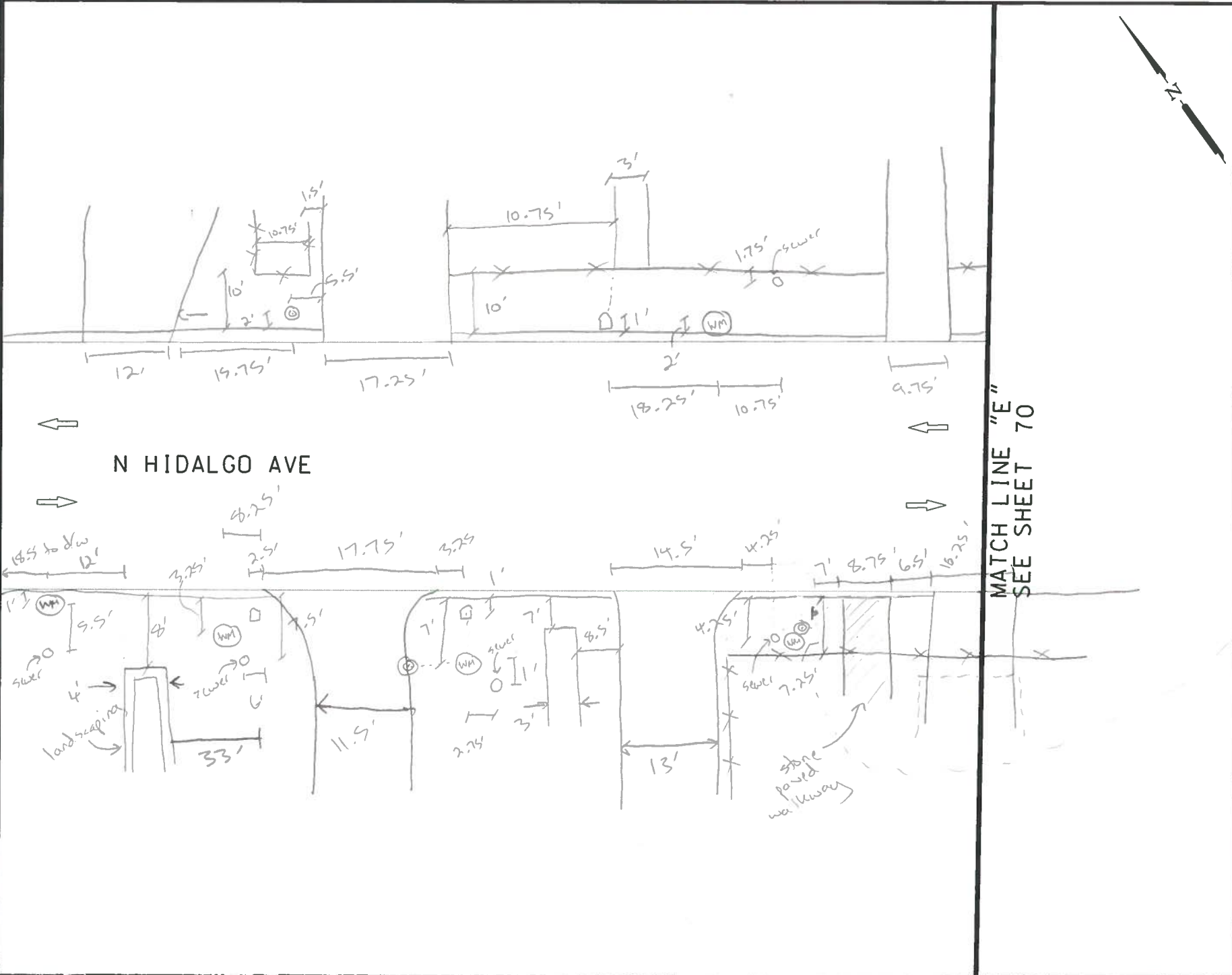


PLOTTED ON: 10/31/2016

DESIGN FILENAME: P:\111\38\00\Design\Civil\Roadway\113800_NB_HidalgoAve_SheetE.dgn

MATCH LINE "D"
SEE SHEET 68



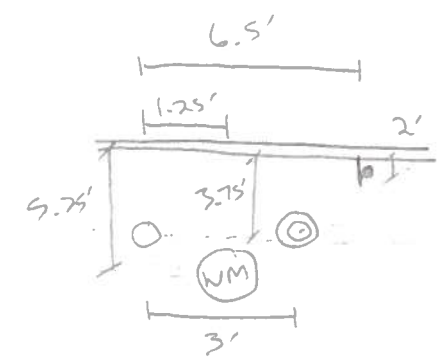
MATCH LINE "E"
SEE SHEET 70

ITEM	DESCRIPTION	UNIT	QTY
------	-------------	------	-----



NB_16-025_WS_33

CF 11/3
DC



NOTES:

- * FOR CONTRACTOR INFORMATION ONLY
- 1. THE EXISTENCE AND LOCATION OF ALL UTILITIES AND DRAINAGE STRUCTURES INDICATED IN THE PLANS ARE TAKEN FROM THE BEST RECORDS AVAILABLE AND ARE NOT GUARANTEED TO BE ACCURATE. CONTRACTOR SHALL COORDINATE WITH ALL UTILITY COMPANIES TO FIELD VERIFY UTILITIES PRIOR TO BEGINNING CONSTRUCTION.

DESIGN

INTERIM REVIEW

DOCUMENT INCOMPLETE. NOT INTENDED FOR PERMIT, BIDDING OR CONSTRUCTION.

ENGINEER: JOHN A. TYLER

P.E. SERIAL NO: 105193

DATE: 10/31/2016

REVIEW AND APPROVAL

INTERIM REVIEW

DOCUMENT INCOMPLETE. NOT INTENDED FOR PERMIT, BIDDING OR CONSTRUCTION.

ENGINEER: JAMES A. LUTZ

P.E. SERIAL NO: 84722

DATE: 10/31/2016

NOT TO SCALE

REV. NO.	DATE	DESCRIPTION	BY

SPECIAL NOTES & DETAILS

FOR ENVIRONMENTAL REVIEW ONLY

LEGEND

- | | | |
|----------------------------|---------------------------|---|
| CAMERA POSITION | LIGHT POLE | LONGITUDINAL SLOPES MAY NOT EXCEED 5%. CROSS SLOPES MAY NOT EXCEED 2% |
| DRAINAGE FLOW ARROW | LUMINAIRE STANDARD | TRAFFIC FLOW |
| FLARE | MAIL BOX | TRAFFIC SIGNAL BOX |
| FIRE HYDRANT | MANHOLE | TRAFFIC SIGNAL CONTROLLER |
| GAS METER | NSPI NO SEPARATE PAY ITEM | TRAFFIC SIGNAL POLE |
| GAS VALVE | PEDESTAL SIGNAL POLE | TRANSFORMER |
| GROUND BOX | PI POINT | TREE/BUSHES |
| GUY ANCHOR | POWER/UTILITY POLE | UTILITY PEDESTAL/MARKER |
| IRRIGATION | R RAMP | UTILITY VAULT |
| JUNCTION BOX | RR RIPRAP (CONC) | WATER METER |
| L LANDING | SIGN | WATER VALVE |
| L1 LANDING (COMMON) | SODDING | |
| LS LEVEL SIDEWALK (2% MAX) | T TRANSITION | |

PAPE-DAWSON ENGINEERS

SAN ANTONIO | AUSTIN | HOUSTON | FORT WORTH | DALLAS
2000 HW LOOP 410 | SAN ANTONIO, TX 78213 | 210.375.9000
TYPE FIRM REGISTRATION #470 | TBPLS FIRM REGISTRATION #1002860

Texas Department of Transportation
© 2016

CURB RAMP PROGRAM

HIDALGO AVE
SIDEWALK SHEET E

SHEET 5 OF 11

DWG:	FED. RD. DIV. NO.:	STATE:	CITY:	HIGHWAY NO.:		
	6	TEXAS	NEW BRAUNFELS	VA		
DWG:	DIST.:	COUNTY:	CONT. NO.:	SECT. NO.:	JOB NO.:	SHEET NO.:
	SAT	COMAL				69