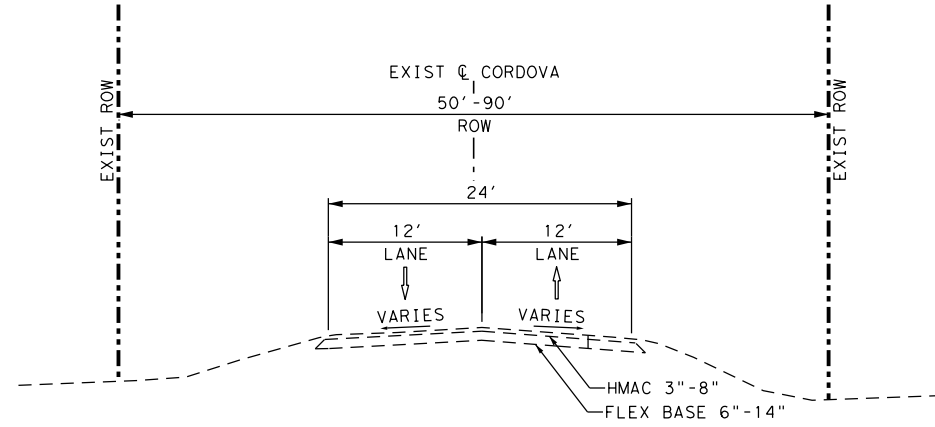
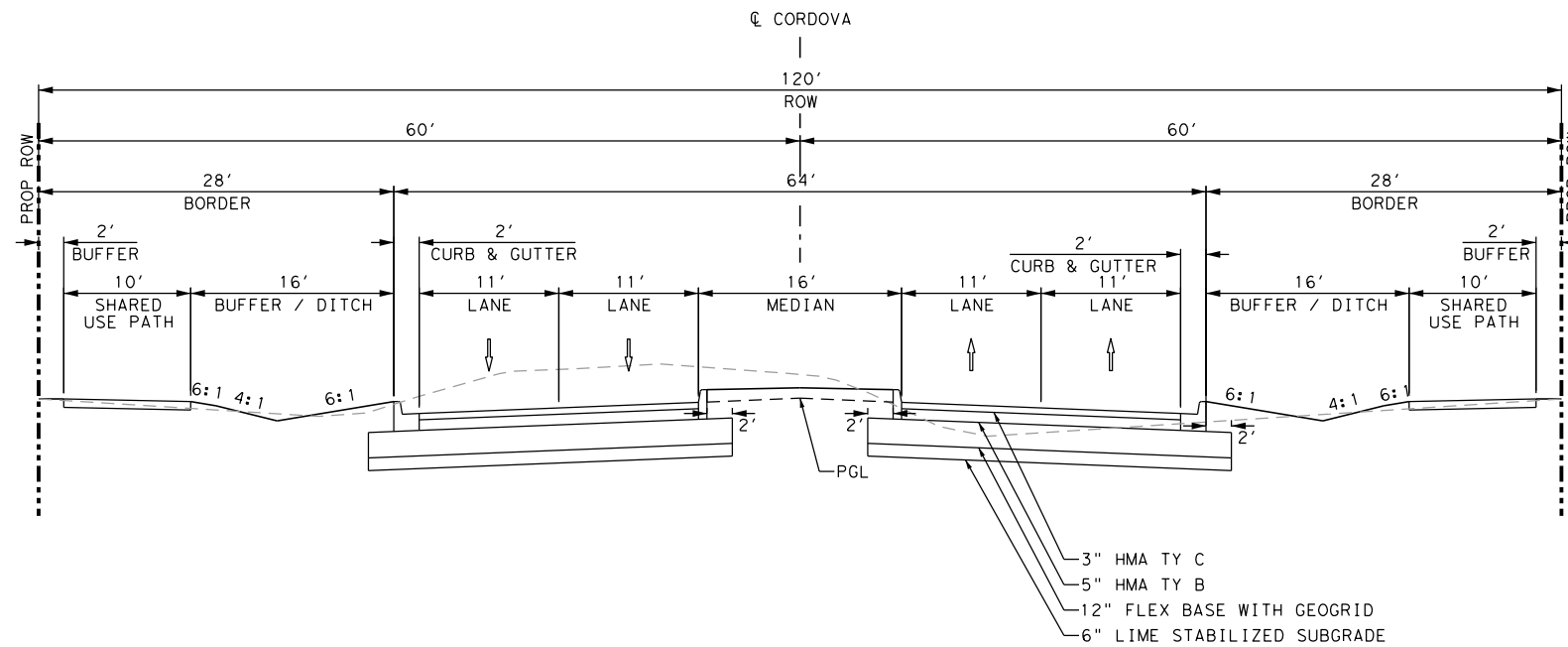


Plotted on: 5/19/2023



EXISTING TYPICAL SECTION
NOT TO SCALE
CORDOVA RD



PROPOSED TYPICAL SECTION
NOT TO SCALE
CORDOVA RD

DESIGN
INTERIM REVIEW
DOCUMENT INCOMPLETE. NOT INTENDED FOR PERMIT, BIDDING OR CONSTRUCTION.
ENGINEER: STEVEN J. TATE
P. E. SERIAL NO: 131443
DATE: 5/19/2023

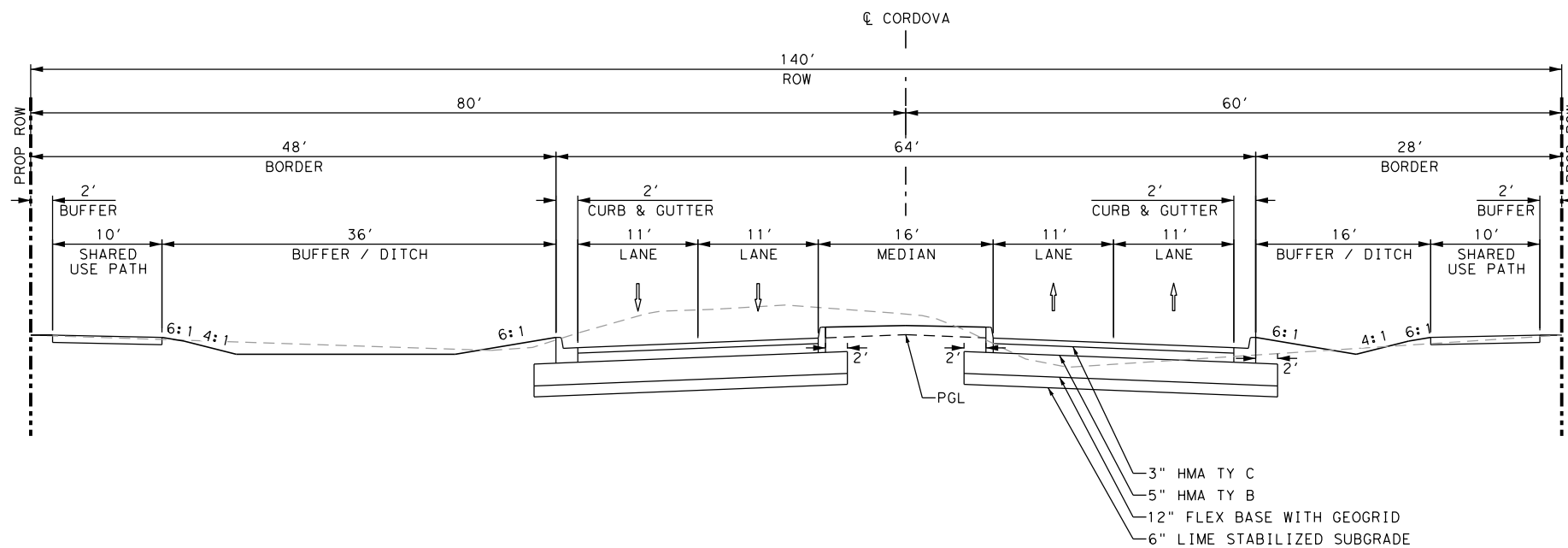
APPROVAL
INTERIM REVIEW
DOCUMENT INCOMPLETE. NOT INTENDED FOR PERMIT, BIDDING OR CONSTRUCTION.
ENGINEER: JOHN A. TYLER
P. E. SERIAL NO: 105193
DATE: 5/19/2023

REV. NO.	DATE	DESCRIPTION	BY			
 SAN ANTONIO AUSTIN HOUSTON FORT WORTH DALLAS 2000 NW LOOP 410 SAN ANTONIO, TX 78213 210.375.9000 TEXAS ENGINEERING FIRM #470 TEXAS SURVEYING FIRM #10028800						
 It's real.						
 © 2023						
TYPICAL SECTION						
SHEET 1 OF 2						
DCN:	FED. RD. DIV. NO.	STATE	FEDERAL AID PROJECT NO.	HIGHWAY NO.		
CHK DGN:	6	TEXAS		CORDOVA		
DWG:	DIST.	COUNTY	CONT. NO.	SECT. NO.	JOB NO.	SHEET NO.
CHK DWG:	SAT	GUADALUPE	0915	46	052	9

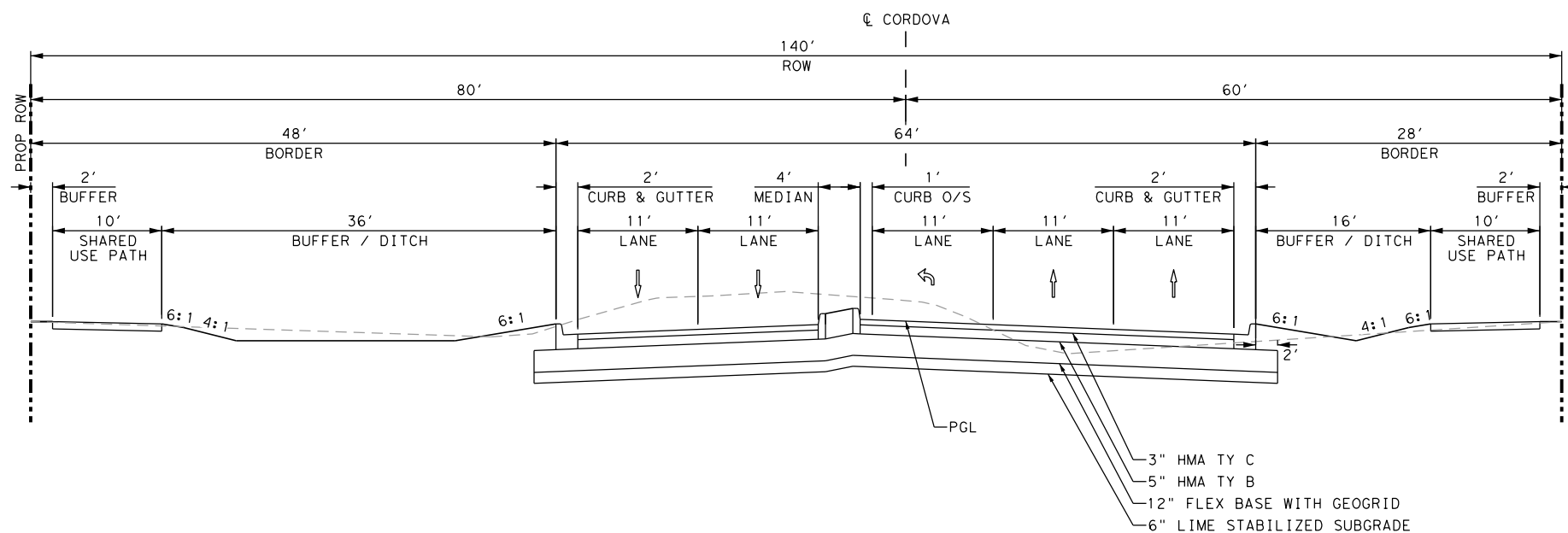
Design File name: P:\127\75\00\Design\Civil\General\1277500_typE01.dgn

Plotted on: 5/19/2023

Design File name: P:\127\75\00\Design\Civil\General\1277500_typ01.dgn



PROPOSED TYPICAL SECTION
NOT TO SCALE
CORDOVA RD



PROPOSED TYPICAL SECTION
NOT TO SCALE
CORDOVA RD

DESIGN
INTERIM REVIEW
DOCUMENT INCOMPLETE. NOT INTENDED FOR PERMIT, BIDDING OR CONSTRUCTION.
ENGINEER: STEVEN J. TATE
P. E. SERIAL NO: 131443
DATE: 5/19/2023

APPROVAL
INTERIM REVIEW
DOCUMENT INCOMPLETE. NOT INTENDED FOR PERMIT, BIDDING OR CONSTRUCTION.
ENGINEER: JOHN A. TYLER
P. E. SERIAL NO: 105193
DATE: 5/19/2023

REV. NO.	DATE	DESCRIPTION	BY
----------	------	-------------	----



SAN ANTONIO | AUSTIN | HOUSTON | FORT WORTH | DALLAS
2000 NW LOOP 410 | SAN ANTONIO, TX 78213 | 210.375.9000
TEXAS ENGINEERING FIRM #470 | TEXAS SURVEYING FIRM #10028800



It's real.



TYPICAL SECTION

SHEET 2 OF 2

DGN:	FED. RD. DIV. NO.:	STATE:	FEDERAL AID PROJECT NO.:			HIGHWAY NO.:
CHK DGN:	6	TEXAS				CORDOVA
DWG:	DIST.:	COUNTY:	CONT. NO.:	SECT. NO.:	JOB NO.:	SHEET NO.:
CHK DWG:	SAT	GUADALUPE	0915	46	052	10