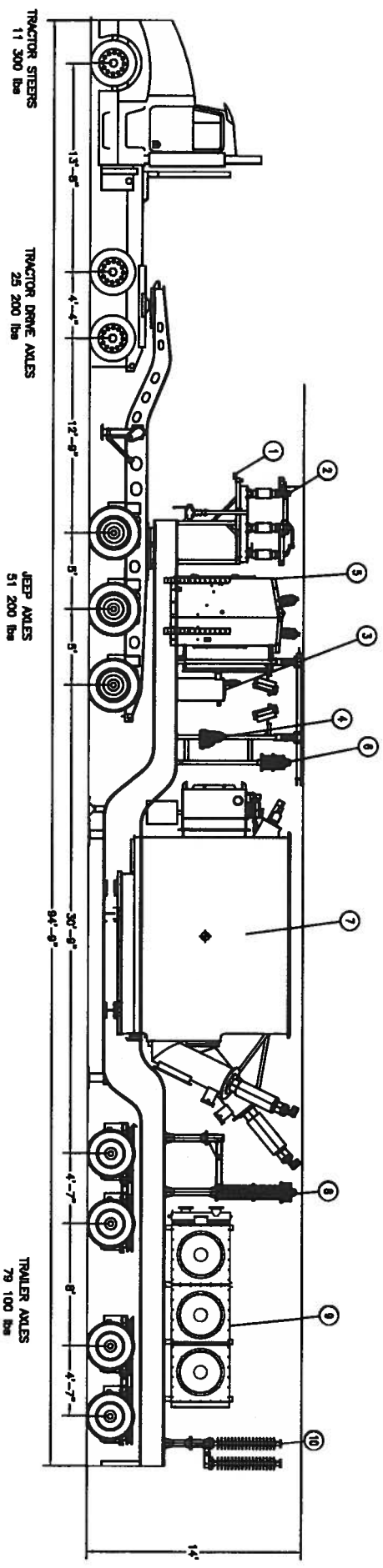
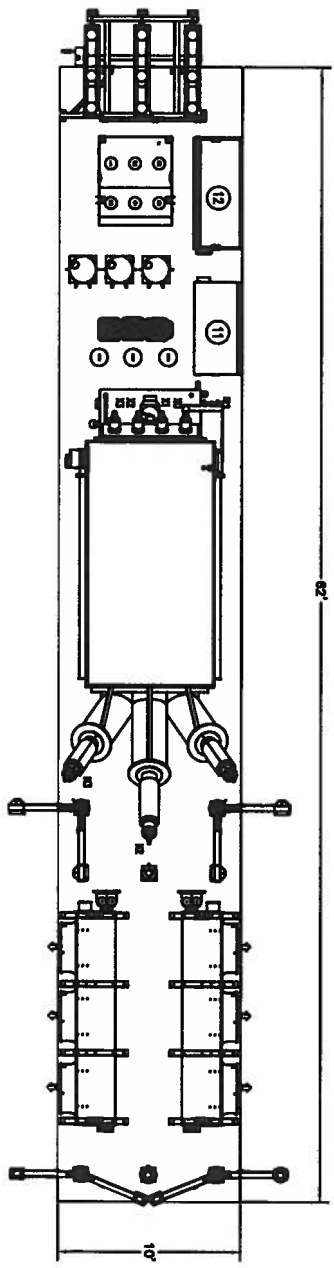


- LEGEND
- 01) LV STRAIN RELIEF
 - 02) 27.5 KV DISCONNECT SWITCH
 - 03) SINGLE PHASE AUX. TRANSFORMER
 - 04) SINGLE PHASE PT
 - 05) 27.5 KV CIRCUIT BREAKER
 - 06) LV ARRESTER
 - 07) TRANSFORMER
 - 08) HV ARRESTERS
 - 09) TRANSFORMER COOLERS
 - 10) HV INSULATORS
 - 11) BATTERY/CHARGER CABINET
 - 12) CONTROL CABINET



TRACTOR STEERS
11 300 lbs

TRACTOR DRIVE AXLES
25 200 lbs

JEEP AXLES
51 200 lbs

TRAILER AXLES
79 100 lbs

ASSEMBLED TRAILER WEIGHT	135,300 LBS
JEEP	11,000 LBS
TRACTOR	20,500 LBS
TOTAL WEIGHT	166,800 LBS

REVISION	DATE	DESCRIPTION

DESIGNED BY	DATE	10/18/10
CHECKED BY	DATE	
APPROV. BY	DATE	

DESIGNER NAME	GUADALUPE EC
CUSTOMER REF.	
P.O. NUMBER	
ADDRESS	
TITLE	

30 MVA with DTC & LTC	138 X 69 KV - 26.18 X 13.09 KV WYE
TRAILER AXLES	79 100 lbs



211013

